

**API 闸阀 API gate valves**

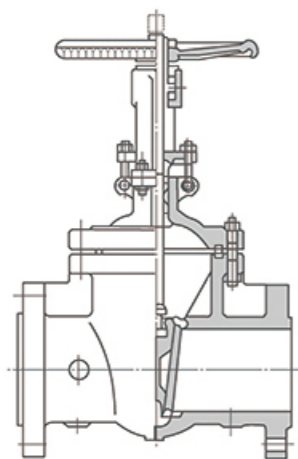


**产品执行标准 Production enforce standard**

设计与制造 Dwsing And Manufacture	API 6D、600
结构长度 Face to Face	ANSI B16.10
法兰尺寸 Flange Dimension	ANSI B16.5
对焊连接尺寸 Butt welding dimension	ANSI B16.25
压力~温度 Pressure Temperature Lating	ANSI B16.34
试验~检验 Inspection and test	API 598、API 6D

**产品性能规范 Chief property and specification**

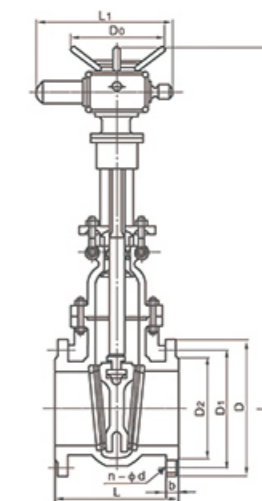
公称压力(PN)Nominal pressure	150	300	600	900	1500	2500	
强度试验 Shell test	Mpa	3.1	7.8	15.8	23.1	38.4	64.6
	Lbf/in <sup>2</sup>	450	1125	2225	3350	5575	9367
水密封试验 Water seal test	Mpa	2.2	5.6	11.2	16.8	28.1	47.4
	Lbf/in <sup>2</sup>	315	815	1630	2440	4080	6873
气密封试验 Air Seal test	Mpa	0.5~0.7					
	Lbf/in <sup>2</sup>	60~100					



**主要零件材料及性能 Main part materials and property**

体、盖、瓣 Body Cover disc	阀杆 Stem	密封面 Sealing Face	垫片(环) Sealing shim	填料 Packing	工作温度(°C) Working temperature	适用介质 Suitable medium
WCB	2Cr13	13Cr	增强柔性石墨 13Cr/柔性石墨 Enhanced Flexible	柔性石墨 增强柔性石墨 Flexible graphite enhanced flexible	≤425	水、蒸汽、油品 Water Steam Petroleum Products
WC1	38CrMoAl 25Cr2Mov	STL	1Cr13/Flexible graphite SFB-2 08软钢	SFB/260	≤450	
WC6		本体材料			≤540	
WC9	With	bodymater rial	≤570			
C5、C12	F304	PTFE	08Soft steel	SFP/260	≤540	硝酸、醋酸、尿素 Nitric acid Aceic acid
CF8	F304L	尼龙	F304	PTFE	≤600	
CF3	F316	Nylon	F316			
CF8M	F316L		F304L			
CF3M			F316L			

**API 闸阀 API gate valves Class-150Lb-600Lb**



**主要外形和连接尺寸 Main external and connection dimension**

单位Unit:mm

磅级 Class	规格 in	通径 DN	单位 Unit	L	H(全开) open	D	D1	D2	b	Z-φd	D0
150 Lb	2	50	in	7.00	16.10	6.00	4.75	3.62	0.75	4-0.75	8.00
			mm	178	409	152	120.5	92	19.1	4-19	200
	3	80	in	8.00	20.00	7.50	6.00	5.00	0.94	4-0.75	1.00
			mm	203	570	90	152.5	127	23.9	4-19	250
	4	100	in	9.00	23.20	9.00	7.50	6.19	0.94	8-0.75	10.00
			mm	229	590	229	195.5	157	23.9	8-19	250
	6	150	in	10.50	24.80	11.00	9.50	8.50	1.00	8-0.88	12.00
			mm	267	630	279	241.5	216	25.4	8-22	300
	8	200	in	11.50	37.80	13.50	11.75	10.62	1212	8-0.88	3.88
			mm	292	960	343	298.5	270	28.5	8-22	350
	10	250	in	13.00	45.60	16.00	14.25	12.75	119	12-1.00	15.70
			mm	330	1158	406	362	324	30.2	12-25	400
	12	300	in	14.00	54.30	19.00	17.00	15.00	1.25	12-1.00	17.70
			mm	356	1378	483	432	381	31.8	12-25	450
	14	350	in	15.00	60.75	21.00	18.75	16.25	1.38	12-1.12	19.70
			mm	381	1543	533	476.5	413	35	12-29	500
	16	400	in	16.00	68.40	23.50	21.25	18.50	1.44	16-1.12	23.60
			mm	406	1738	597	539.5	470	36.6	16-29	600
	18	450	in	17.00	74.10	25.00	22.75	21.00	1.56	16-1.25	23.60
			mm	432	1959	635	578	533	39.7	16-23	600
	20	500	in	18.00	87.20	27.50	25.00	23.00	1.69	20-1.25	26.80
			mm	457	2214	698	635	584	42.9	20-32	680
	24	600	in	20.00	102.3	32.00	29.50	27.25	1.88	20-1.38	29.90
			mm	508	2599	813	749.5	692	47.7	20-38	760
30	750	in	24.00	125.3	38.75	36.00	33.75	2.94	28-1.38	36.00	
		mm	610	3183	985	914	857	74.5	28-35	915	
36	900	in	28.00	147.00	46.00	42.75	40.25	3.56	32-1.62	36.00	
		mm	711	3737	1170	1086	1022	90.5	32-41	915	

**API 闸阀 API gate valves** Class-150Lb~600Lb

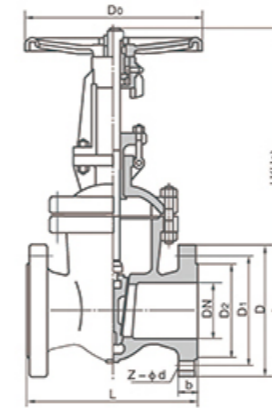
主要外形和连接尺寸 Main external and connection dimension

单位Unit:mm

磅级 Class	规格 in	通径 DN	单位 Unit	L	H(全开) open	D	D1	D2	b	Z-φd	D0
300Lb	2	50	in	8.50	16.70	6.5	5.00	3.62	0.88	8-0.75	8.0
			mm	216	424	165	127	92	22.3	8-19	200
	3	80	in	11.15	21.00	8.25	6.62	5.00	1.12	8-0.88	10
			mm	283	535	210	168	127	28.5	8-22	250
	4	100	in	12.00	24.20	10.0	7.88	6.19	1.25	8-0.88	10
			mm	305	615	254	200	157	31.8	8-22	250
	6	150	in	15.83	31.30	12.50	10.62	8.50	1.44	8-0.88	14
			mm	403	795	318	270	216	36.6	12-22	350
	8	200	in	16.50	39.90	15.0	13.0	10.62	1.62	12-1.0	15.7
			mm	419	1012	381	330	270	41.3	12-25	400
	10	250	in	18.00	48.50	17.50	15.25	12.75	1.88	16-1.1	17.7
			mm	457	1231	444	387.5	324	47.7	16-29	450
	12	300	in	19.75	57.0	20.50	17.75	15.00	2.00	16-1.2	19.7
			mm	502	1450	521	451	381	50.8	16-32	500
	14	350	in	30.00	64.8	23.00	20.25	16.25	2.12	20-1.2	23.6
			mm	762	1645	584	514.5	413	54.0	20-32	600
16	400	in	33.00	72.50	25.50	20.25	18.50	2.25	20-1.3	23.6	
		mm	838	1814	648	571.5	470	57.2	20-35	600	
18	450	in	36.00	76.50	28.00	24.75	21.00	2.38	24-1.3	26.8	
		mm	914	1943	711	628.5	533	60.4	24-35	680	
20	500	in	39.00	84.80	30.50	27.0	23.00	2.50	24-1.3	38	
		mm	991	2154	775	686	584	63.5	24-35	760	
24	600	in	45.00	100.50	36.0	32.0	27.25	2.75	24-1.6	36	
		mm	1143	2553	914	813	692	69.9	24-41	915	

磅级 Class	规格 in	通径 DN	单位 Unit	L	H(全开) open	D	D1	D2	b	Z-φd	D0
600Lb	2	50	in	11.50	18	6.5	5.00	3.62	1.0	8-0.75	10
			mm	292	45	165	127	92	25.4	8-19	250
	3	80	in	14.00	12.50	8.25	6.62	5.00	1.25	8-0.88	10
			mm	356	570	210	168	127	31.8	8-22	250
	4	100	in	17.00	27.2	10.75	8.50	6.19	1.5	8-1.0	14
			mm	432	390	273	216	157	38.1	8-25	350
	6	150	in	22	35.8	14	11.50	8.50	1.88	12-1.1	18
			mm	559	910	356	292	216	47.7	12-29	450
	8	200	in	26.00	41.9	16.5	13.75	10.62	2.19	12-1.2	19.7
			mm	600	1064	419	349	270	55.6	12-32	500
	10	250	in	31.00	49.5	20	17.00	12.75	2.5	16-1.3	23.6
			mm	787	1257	508	432	324	63.5	16-35	600
	12	300	in	33	57.8	22	19.25	15.00	2.62	20-1.3	26.8
			mm	838	1468	559	489	381	66.7	20-35	680
	14	350	in	35	63.9	23.75	20.75	16.25	2.75	20-1.5	26.9
			mm	889	1623	603	527	413	69.9	20-38	760
16	400	in	39	71.5	27	23.75	18.50	3.0	20-1.6	26.9	
		mm	991	1816	686	603	470	76.2	20-41	760	
18	450	in	43	82.7	29.25	25.75	21.00	3.25	20-10.7	36	
		mm	1092	2100	743	654	533	82.6	20-45	915	
20	500	in	47	88.6	32	28.5	23.00	3.5	24-1.75	37.4	
		mm	1194	2250	813	724	584	88.9	24-45	950	
24	600	in	55	107.5	37	33.0	27.25	4.0	24-2.0	39.4	
		mm	1397	2730	940	838	692	102	24-51	1000	

**楔式闸阀 Wedge gate valves**



产品执行标准 Production enforce standard

产品规范 Product Specification	
设计规范 Design Spec	GB/T 12234
结构长度 Face to Face	GB/T 1221
连接法兰 Flange End	JB/T 79
试验与检验 Test & Check	GB/T 13927
压力-温度 Pressure-temp.	GB/T 12229
产品标识 Marking	GB/T 12220

产品性能规范 Chief property and specification

1、试验压力 Test pressure						
公称压力 Nominal Pressure	1.6	2.5	4.0	6.4	10.0	16.0
壳体 Shell	2.4	3.8	6.0	9.6	15.0	24.0
试验压力(MPa) Test pressure	密封(液)Seal	1.8	2.8	4.4	7.0	11.0
	密封(气)Seal	0.6	0.6	0.6	0.6	0.6
上密封 Back seat	1.8	2.8	4.4	7.0	11.0	18.0

2、适用介质及适用温度 Applicable medium & Applicable temperature

壳体材料 Shell material	碳素钢(C型) Carburizing steel(C type)	铬镍钛钢(P型) Cr, Ti, steel (P type)	铬镍钼钛钢 (R型) Cr, Ni, Mo, Ti steel(R type)	铬钼钢(I型) Cr, Mo steel(I type)
适用介质 Applicable medium	水、蒸汽、油品 Water, steam, oil	硝酸类 Nitric acid	醋酸类 Acetic acid	水、蒸汽、油品 Water, steam, oil
适用温度℃ Applicable tempe	≤425	≤200	≤200	≤550

主要零件材料 Material for main parts

阀体、阀盖 Body bonnet	闸板、闸座 Wedge disc, seat ring	阀杆 Stem	阀杆螺母 Yoke nut	填料 Packing	手轮 Hand wheel
碳素钢 Carburizing steel	优质碳钢+硬质合金或不锈钢 High-grade carbon steel+ carbide alloy or stainless steel	铬不锈钢 Cr.stainless steel	铝青铜 Al bronze	石墨石棉盘根 Graphite.asbestos coils	可锻铸铁 Foraeable cast-iron
铬镍钛钢 Cr.Ti, steel	不锈钢、不锈钢+硬质合金 Stainless steel or + carbide alloy	铬镍钛不锈钢 Cr.Ni.Ti stainless steel	铝青铜 Al bronze	浸聚四氟乙烯 Dipping polytetrafluo -roethylene	可锻铸铁 Foraeable cast-iron
铬镍钼钛钢 Cr.Ni.Mo.Ti, steel	不锈钢、不锈钢+硬质合金 Stainless steel or + carbide alloy	铬镍钼钛不锈钢 Cr.Ni.Ti stainless steel	铝青铜 Al bronze	烯石棉盘根 Asbestos coil	可锻铸铁 Foraeable cast-iron
铬钼钢 Cr,Mo steel	合金钢+硬质合金 Alloy steel+carbide alloy	铬钼钼钢 Cr.Mo Ai steel	铝青铜 Al bronze	柔性石墨 Flexibie graphite	可锻铸铁 Foraeable cast-iron

**楔式闸阀 Wedge gate valves** Z40/Z41/KZ41-PN16~160

主要外形和连接尺寸 Main external and connection dimension

单位Unit:mm

公称通径 DN	主要外形尺寸和连接尺寸(mm) Main external and connecting dimensions										WT(kg)
	L	D	D1	D2	b	f	Z-d	H	H1	D0	
	Z40H Z41Y-10	Z40Y-16P Z41	Z40Y-16R Z41	Z40W-16P Z41	Z40W-16R Z41	Z40Y-16I (KZ41Y)					
40	240	145	110	85	16	3	4-18	300	352	200	18
50	250	160	125	100	16	3	4-18	358	438	240	29
65	270	180	145	120	18	3	4-18	375	450	240	33
80	280	195	160	135	20	3	8-18	433	528	280	46
100	300	215	180	155	20	3	8-18	502	620	320	63
125	325	245	210	185	22	3	8-18	612	753	360	108
150	350	280	240	210	24	3	8-23	676	847	360	134
200	400	335	295	265	26	3	12-23	820	1039	400	192
250	450	405	355	320	30	3	12-25	969	1245	450	273
300	500	460	410	375	30	4	12-25	1142	1472	560	379
350	550	520	470	435	34	4	16-25	1280	1450	640	590
400	600	580	525	485	36	4	16-30	1452	1887	640	850
450	650	640	585	545	40	4	20-30	1541	2011	720	907
500	700	705	650	608	44	4	20-34	1676	2181	720	958
600	800	840	770	718	48	5	20-41	1874	2346	800	1112
	Z40H Z41Y-25	Z40Y-25P Z41	Z40Y-25R Z41	Z40W-25P Z41	Z40W-25R Z41	Z40Y-25I (KZ41Y)					
40	240	145	110	85	18	3	4-18	300	352	200	18
50	250	160	125	100	20	3	4-18	358	438	240	28
65	270	180	145	120	22	3	8-18	375	450	240	33
80	280	195	160	135	22	3	8-18	433	528	280	46
100	300	230	190	160	24	3	8-23	502	620	320	64
125	325	270	220	188	28	3	8-25	612	753	360	116
150	350	300	250	218	30	3	8-25	676	847	360	141
200	400	360	310	278	34	3	12-25	820	1039	400	213
250	450	425	370	332	36	3	12-30	969	1245	450	290
300	500	485	430	390	40	4	16-30	1142	1472	560	400
350	550	550	490	448	44	4	16-34	1280	1450	640	631
400	600	610	550	505	48	4	16-34	1452	1887	640	900
450	650	660	600	555	50	4	20-34	1541	2011	720	1013
500	700	730	660	610	52	4	20-41	1676	2181	720	1166
600	800	840	770	718	56	5	20-41	1874	2346	800	1258

**楔式闸阀 Wedge gate valves** Z40/Z41/KZ41-PN16~160

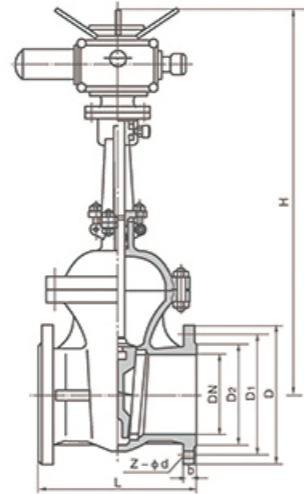
主要外形和连接尺寸 Main external and connection dimension

单位Unit:mm

公称通径 DN	主要外形尺寸和连接尺寸(mm) Main external and connecting dimensions												WT(kg)
	L	D	D1	D2	D6	b	f	f2	Z-d	H	H1	D0	
	Z40H Z41Y-40	Z40Y-40P Z41	Z40Y-40R Z41	Z40W-40P Z41	Z40W-40R Z41	Z40Y-40 (KZ41Y)							
40	240	145	110	85	76	18	3	4	4-18	323	369	200	16.5
50	250	160	125	100	88	20	3	4	4-18	372	440	280	29
65	290	180	145	120	110	22	3	4	8-18	395	473	280	39
80	310	195	160	135	121	22	3	4	8-18	457	552	320	52
100	350	230	190	160	150	24	3	4.5	8-23	552	671	360	80
125	400	270	220	188	176	28	3	4.5	8-25	634	726	400	127
150	450	300	250	218	204	30	3	4.5	8-25	708	883	400	154
200	550	375	320	282	260	38	3	4.5	12-30	858	1086	450	263
250	650	445	385	345	313	42	3	4.5	12-34	1015	1298	560	368
300	750	510	450	408	364	46	4	4.5	16-34	1203	1535	640	547
350	850	570	510	465	422	52	4	5	16-34	1341	1678	640	679
400	950	665	585	535	474	58	4	5	16-41	1492	1903	720	953
	Z40H Z41Y-64	Z40Y-64P Z41	Z40Y-64R Z41	Z40W-64P Z41	Z40W-64R Z41	Z40Y-64I (KZ41Y)							
40	240	165	125	95	76	18	3	4	4-φ23	360	389	240	29
50	250	175	135	105	88	26	3	4	4-φ23	372	448	280	34
65	280	200	160	130	110	28	3	4	8-φ23	395	475	280	43
80	310	210	170	140	121	30	3	4	8φ23	458	553	320	60
100	350	250	200	168	150	32	3	4.5	8-φ25	553	679	360	89
125	400	295	240	202	176	36	3	4.5	8-φ30	638	779	400	140
150	450	340	280	240	204	38	3	4.5	8-φ34	718	893	450	207
200	550	405	345	300	260	44	3	4.5	12-φ34	873	1100	560	325
250	650	470	400	352	313	48	3	4.5	12-φ41	1053	1332	640	467
300	750	530	460	412	364	54	4	4.5	16-φ41	1203	1535	640	590
	Z40H Z41Y-100	Z40Y-100P Z41	Z40Y-100R Z41	Z40W-100P Z41	Z40W-100R Z41	Z40Y-100I (KZ41Y)							
40	240	165	125	95	76	26	3	4	4-φ23	360	389	280	51
50	250	195	145	112	88	28	3	4	4-φ23	490	558	360	60
65	280	220	170	138	110	32	3	4	8-φ25	540	622	400	70
80	310	230	170	148	121	34	3	4	8φ25	573	671	400	89
100	350	265	210	172	150	38	3	4.5	8-φ30	575	671	400	130
125	400	310	250	210	176	42	3	4.5	8-φ34	744	892	560	223
150	450	350	290	250	204	46	3	4.5	12-φ34	800	972	560	295
200	550	430	360	312	260	54	3	4.5	12-φ41	800	972	560	559
250	650	500	430	382	313	60	3	4.5	12-φ41	1050	1305	640	640
300	750	585	500	442	364	70	4	4.5	16-φ48	1208	1506	640	730
	Z40H Z41Y-160	Z40Y-160P Z41	Z40Y-160R Z41	Z40W-160P Z41	Z40W-160R Z41	Z40Y-160I (KZ41Y)							
40	260	175	125	92	76	32	3	4	4-φ27	350	395	320	32
50	300	215	165	132	88	36	3	4	8-φ25	512	612	360	73
65	340	245	190	152	110	44	3	4	8-φ30	560	677	360	110
80	390	260	205	168	121	46	3	4	8φ30	585	686	400	141
100	450	300	240	200	150	48	3	4.5	8-φ34	631	751	450	185
125	525	355	285	238	176	60	3	4.5	8-φ41	723	868	560	320
150	600	390	318	270	204	66	3	4.5	12-φ41	820	997	640	462
200	750	480	400	345	250	78	3	4.5	12-φ48	990	1224	720	711

注：根据用户的需要可提供齿轮传动闸阀产品。 Note: Gear driving gate valves can be supplied per users' requirement.

**电动楔式闸阀 Electric wedge gate valves Z940/941-PN16~160**



主要外形和连接尺寸 Main external and connection dimension

单位Unit:mm

公称通径 DN	主要外形尺寸和连接尺寸(mm) Main external and connecting dimensions									电动装置 Electric device	WT(kg)
	L	D	D <sub>1</sub>	D <sub>2</sub>	b	f	Z-d	H			
	Z940H Z941Y-16C	Z940Y-16P Z941Y-16P	Z940Y-16R Z941Y-16R	Z940W-16P Z941W-16P	Z940W-16R Z941W-16R	Z940Y-16I Z941Y-16I					
40	240	145	110	85	16	3	4-18	595	DZW15	56	
50	250	160	125	100	16	3	4-18	653	DZW20	59	
65	270	180	145	120	18	3	8-18	665	DZW20	62	
80	280	195	160	135	20	3	8-18	725	DZW20	74	
100	300	215	180	155	20	3	8-18	787	DZW20	92	
150	350	280	240	210	24	3	8-23	955	DZW30	161	
200	400	335	295	265	26	3	12-23	1105	DZW30	219	
250	450	405	355	320	30	3	12-25	1343	DZW45	376	
300	500	460	410	375	30	3	12-25	1516	DZW60	484	
350	550	520	470	435	34	4	16-25	1678	DZW60	695	
400	600	580	525	485	36	4	16-30	1849	DZW90	977	
450	650	640	585	545	40	4	20-30	1937	DZW90	1033	
500	700	705	650	608	44	4	20-34	2234	DZW120	1087	
600	800	840	770	718	48	5	20-41	2432	DZW180	1357	
700	900	910	840	788	50	5	24-41	2489	DZW250	1481	
800	1000	1020	950	898	52	5	24-41	2643	DZW350	1845	

注: DN700、DN800的型号为Z942型。  
Note:DN700, DN800 type is Z942.

**电动楔式闸阀 Electric wedge gate valves Z940/941-PN16~160**

主要外形和连接尺寸 Main external and connection dimension

单位Unit:mm

公称通径 DN	主要外形尺寸和连接尺寸(mm) Main external and connecting dimensions									电动装置 Electric device	WT(kg)
	L	D	D <sub>1</sub>	D <sub>2</sub>	b	f	Z-d	H			
	Z940H Z941Y-25C	Z940Y-25P Z941Y-25P	Z940Y-25R Z941Y-25R	Z940W-25P Z941W-25P	Z940W-25R Z941W-25R	Z940Y-25I Z941Y-25I					
40	240	145	110	85	18	3	4-18	595	DZW15	60	
50	250	160	125	100	20	3	4-18	653	DZW20	64	
65	270	180	145	120	22	3	8-18	665	DZW20	65	
80	280	195	160	135	22	3	8-18	725	DZW20	79	
100	300	230	190	160	24	3	8-23	787	DZW20	98	
125	325	270	220	188	28	3	8-25	902	DZW30	154	
150	350	300	250	218	30	3	8-25	955	DZW30	168	
200	400	360	310	278	34	3	12-25	1105	DZW45	219	
250	450	425	370	332	36	3	12-30	1343	DZW45	390	
300	500	485	430	390	40	4	16-30	1516	DZW60	505	
350	550	550	490	448	44	4	16-30	1678	DZW60	736	
400	600	610	550	505	48	4	16-34	1849	DZW90	1027	
450	650	660	600	555	50	4	16-34	1937	DZW90	1139	
500	700	730	660	610	52	4	20-34	2234	DZW120	1228	
600	800	840	770	718	56	5	20-41	2432	DZW180	1502	
700	900	955	875	815	60	5	20-41	2489	DZW250	1617	
800	1000	1070	990	930	64	5	24-48	2643	DZW350	1923	

注: DN700、DN800的型号为Z942型。 Note:DN700、DN800 type is Z942.

主要外形和连接尺寸 Main external and connection dimension

单位Unit:mm

公称通径 DN	主要外形尺寸和连接尺寸(mm) Main external and connecting dimensions										电动装置 Electric device	WT(kg)
	L	D	D <sub>1</sub>	D <sub>2</sub>	D <sub>6</sub>	b	Z-d	f	f <sub>2</sub>	H		
	Z940H Z941Y-40	Z940Y-40P Z941Y-40P	Z940Y-40R Z941Y-40R	Z940W-40P Z941W-40P	Z940W-40R Z941W-40R	Z940Y-40I Z941Y-40I						
40	240	145	110	85	76	18	4-18	3	4	617	DZW15	46
50	250	160	125	100	88	20	4-18	3	4	665	DZW20	58
65	290	180	145	120	110	22	8-18	3	4	680	DZW20	68
80	310	195	160	135	121	22	8-18	3	4	752	DZW20	80
100	350	230	190	160	150	24	8-23	3	4.5	846	DZW30	108
150	450	300	250	218	204	30	8-25	3	4.5	1087	DZW45	258
200	550	375	320	282	260	38	12-30	3	4.5	1243	DZW45	366
250	650	445	385	345	313	42	12-34	3	4.5	1429	DZW60	472
300	750	510	450	408	364	46	16-34	4	4.5	1608	DZW90	673
350	850	570	510	465	422	52	16-34	4	5	1738	DZW90	804
400	950	655	585	535	474	58	16-41	4	5	1897	DZW120	1081
450	1050	680	610	560	524	60	20-41	4	5	2104	DZW180	1259
500	1150	755	670	612	576	62	20-48	4	5	2401	DZW180	1348

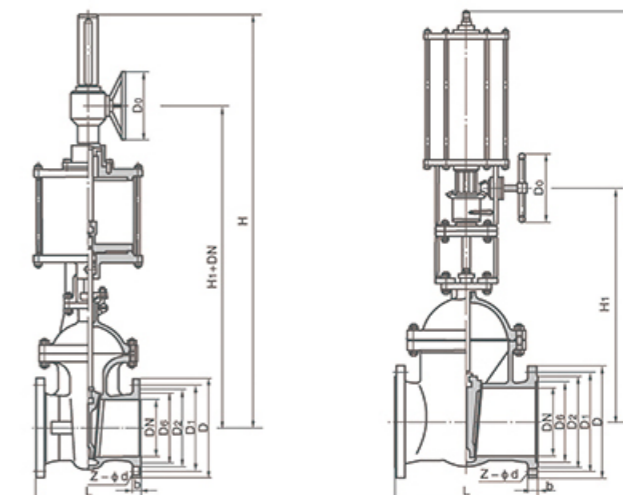
**电动楔式闸阀 Electric wedge gate valves Z940/941-PN16~160**

主要外形和连接尺寸 Main external and connection dimension

单位Unit:mm

公称通径 DN	主要外形尺寸和连接尺寸(mm) Main external and connecting dimensions										电动装置 Electric device	WT(kg)
	L	D	D <sub>1</sub>	D <sub>2</sub>	D <sub>6</sub>	b	f	Z-d	f <sub>2</sub>	H		
	Z940H Z941Y-64	Z940Y-64P Z941Y-64P	Z940Y-64R Z941Y-64R	Z940W-64P Z941W-64P	Z940W-64R Z941W-64R	Z940Y-64I Z941Y-64I						
50	250	175	135	105	88	26	4-23	3	4	667	DZW20	68
65	280	200	160	130	110	28	8-23	3	4	685	DZW20	72
80	310	210	170	140	121	30	8-23	3	4	748	DZW30	88
100	350	250	200	168	150	32	8-25	3	4.5	845	DZW30	117
150	450	340	280	240	204	88	8-34	3	4.5	1009	DZW45	314
200	550	405	345	300	260	44	12-34	3	4.5	1253	DZW60	432
250	650	470	400	345	313	48	12-41	3	4.5	1449	DZW60	595
300	750	530	460	412	361	54	16-41	4	4.5	1867	DZW90	721
350	850	595	525	475	422	60	16-41	4	5	1931	DZW120	863
400	950	670	585	525	474	66	16-48	4	5	2017	DZW180	1129
500	1150	800	705	640	576	70	20-54	4	5	2459	DZW250	1493
	Z940H Z941Y-100	Z940Y-100P Z941Y-100P	Z940Y-100R Z941Y-100R	Z940W-100P Z941W-100P	Z940W-100R Z941W-100R	Z940Y-100I Z941Y-100I						
50	250	195	145	112	88	28	4-25	3	4	781	DZW20	78
65	280	220	170	138	110	32	8-25	3	4	830	DZW20	96
80	310	230	180	148	121	34	8-25	3	4	865	DZW30	126
100	350	265	210	172	150	38	8-30	3	4.5	1179	DZW30	134
150	450	350	290	250	204	46	12-34	3	4.5	1201	DZW60	352
200	550	430	360	312	260	54	12-41	3	4.5	1611	DZW90	484
250	650	500	430	382	313	60	12-41	3	4.5	1903	DZW90	608
300	750	585	500	442	364	70	16-48	4	4.5	2054	DZW120	757
350	850	655	560	498	422	76	16-54	4	5	2132	DZW180	994
400	950	715	620	558	474	80	16-54	4	5	2321	DZW250	1269
	Z940H Z941Y-160	Z940Y-160P Z941Y-160P	Z940Y-160R Z941Y-160R	Z940W-160P Z941W-160P	Z940W-160R Z941W-160R	Z940Y-160I Z941Y-160I						
50	300	215	165	132	88	36	8-25	3	4	905	DZW20	101
65	340	245	190	152	110	44	8-30	3	4	968	DZW20	137
80	390	260	205	168	121	46	8-30	3	4	978	DZW30	167
100	450	300	240	200	150	48	8-34	3	4.5	1043	DZW30	211
125	525	355	285	238	176	60	8-41	3	4.5	1248	DZW60	424
150	600	390	318	270	204	66	12-41	3	4.5	1394	DZW90	588
200	750	480	400	345	250	78	12-48	3	4.5	1621	DZW120	839

**气动闸阀 Pneumatic gate valve CZ6s40H-16~40C/P/R**



主要外形和连接尺寸 Main external and connection dimension

单位Unit:mm

公称通径 DN	主要外形尺寸和连接尺寸(mm) Main external and connecting dimensions									WT(kg)
	L	D	D <sub>1</sub>	D <sub>2</sub>	b	Z-φd	H	H <sub>1</sub>	D <sub>0</sub>	
	CZ6s40H-16C		CZ6s40H-16C		CZ6s40Y-16P		CZ6s40Y-16R			
50	250	160	125	100	16	4-φ18	950	570	180	36
65	270	180	145	120	18	4-φ18	1050	596	180	53
80	280	195	160	135	20	8-φ18	1080	635	200	72
100	300	215	180	155	20	8-φ18	1145	645	250	90
125	325	245	210	185	22	8-φ18	1210	685	250	120
150	350	280	240	210	24	8-φ18	1300	720	320	132
200	400	335	295	265	26	12-φ23	1660	940	400	258
250	450	405	355	320	30	12-φ25	1790	1020	400	297
300	500	460	410	375	30	12-φ25	1990	1150	450	420
350	550	520	470	435	34	16-φ25	2090	1170	450	558
400	600	580	525	485	36	16-φ30	2290	1325	500	840
450	650	640	585	545	40	20-φ30	2485	1465	500	1110
500	700	705	650	608	44	20-φ34	2640	1590	550	1380
600	800	840	770	718	48	20-φ41	2940	1720	550	1620
700	900	910	840	788	50	24-φ41	3450	1960	600	1966
800	1000	1020	950	898	52	24-φ41	3650	2190	600	2282
900	1100	1120	1050	998	54	28-φ41	3815	2400	800	2495
1000	1200	1255	1170	1110	56	28-φ48	4000	2650	800	2760

**气动闸阀 Pneumatic gate valve**

CZ6s40H-16~40C/P/R

主要外形和连接尺寸 Main external and connection dimension

单位Unit:mm

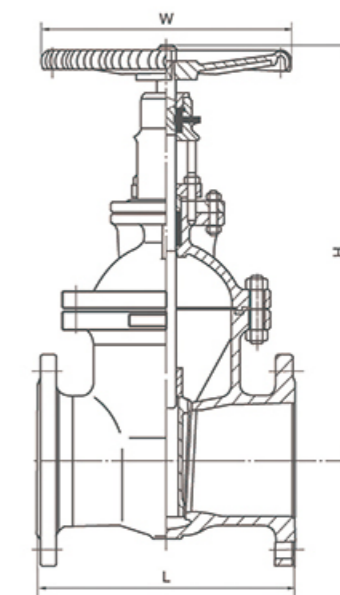
公称口径 DN	主要外形尺寸和连接尺寸(mm) Main external and connecting dimensions										WT(kg)
	L	D	D1	D2	b	Z-φd	H	H1	D0		
	CZ6s40H-25		CZ6s40Y-25P		CZ6s40Y-25R						
50	250	160	125	100	20	4-φ18	950	570	180	38	
65	270	180	145	120	22	8-φ18	1050	596	180	55	
80	280	195	160	135	22	8-φ18	1080	635	200	76	
100	300	230	190	160	24	8-φ23	1145	645	250	94	
125	325	270	220	188	28	8-φ25	1210	685	250	126	
150	350	300	250	218	30	8-φ25	1300	720	320	136	
200	400	360	320	278	34	12-φ25	1660	940	400	265	
250	450	425	370	332	36	12-φ30	1790	1020	400	300	
300	500	485	430	390	50	16-φ30	1990	1150	450	436	
350	550	550	490	448	44	16-φ34	2090	1170	450	580	
400	600	610	550	505	48	16-φ34	2290	1325	500	860	
450	650	660	600	555	50	20-φ34	2485	1465	500	1260	
500	700	730	660	610	52	20-φ41	2640	1590	550	1420	
600	800	840	770	718	56	20-φ41	2940	1720	550	1710	
700	900	955	875	815	60	24-φ48	3450	1960	600	2105	
800	1000	1070	990	930	64	24-φ48	3650	2190	600	2310	
900	1100	1180	1090	1025	66	28-φ54	3815	2400	800	2620	
1000	1200	1350	1210	1140	68	28-φ58	4000	2650	800	2960	

主要外形和连接尺寸 Main external and connection dimension

单位Unit:mm

公称口径 DN	主要外形尺寸和连接尺寸(mm) Main external and connecting dimensions										WT(kg)
	L	D	D1	D2	D6	b	Z-φd	H	H1	D0	
	CZ6s40H-40		CZ6s40Y-40P		CZ6s40Y-40R						
50	250	160	125	100	88	20	4-φ18	950	570	200	42
65	280	180	145	120	110	22	8-φ18	1050	596	200	68
80	320	195	160	135	121	22	8-φ18	1080	635	250	84
100	350	230	190	160	150	24	8-φ23	1145	645	320	102
125	400	270	220	188	176	28	8-φ25	1210	700	320	135
150	450	300	250	218	204	30	8-φ25	1330	750	400	156
200	550	375	320	282	260	38	12-φ30	1660	940	400	276
250	650	445	385	345	313	42	12-φ34	1820	1050	450	306
300	750	510	450	408	364	46	16-φ34	1990	1150	450	510
350	850	570	510	465	422	52	16-φ34	2110	1190	500	720
400	950	655	585	535	474	58	16-φ41	2335	1370	550	1050
450	1050	680	610	560	524	60	20-φ41	2490	1510	550	1320
500	1150	755	670	612	576	62	20-φ48	2640	1590	550	1800
600	1350	890	795	730	678	62	20-φ54	2940	1720	600	2160

**德标暗杆闸阀 Non-rising stem gate valves DIN**

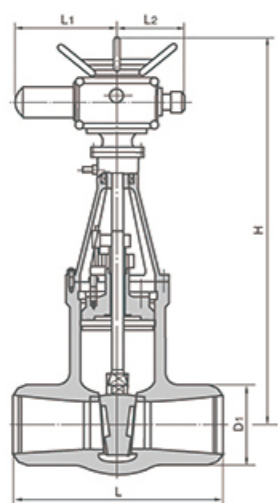


主要外形和连接尺寸 Main external and connection dimension

单位Unit:mm

压力等级 Pressure	PN1.6											
口径Size mm	50	65	80	100	125	150	200	250	300	350	400	
L	250	270	280	330	360	390	460	530	630	690	750	
H	305	354	402	437	496	541	699	815	914	1189	1350	
W	200	200	750	250	300	350	400	450	500	550	600	
重量(kg)Weight	20	30	38	56	75	100	182	278	398	500	618	
压力等级 Pressure	PN2.5											
口径Size mm	50	65	80	100	125	150	200	250	300	350	400	
L	250	270	280	330	360	390	460	530	630	690	750	
H	325	363	415	453	505	556	744	864	948	1269	1450	
W	300	200	250	300	350	400	450	500	550	600	600	
重量(kg)Weight	20	30	39	58	80	101	190	290	405	510	650	
压力等级 Pressure	PN4.0											
口径Size mm	50	65	80	100	125	150	200	250	300	350	400	
L	250	270	280	330	360	390	460	530	630	690	750	
H	325	370	430	480	532	589	783	888	965	1285	1512	
W	200	200	250	300	350	400	450	500	550	600	600	
重量(kg)Weight	22	31	41.5	61	83	110	210	318.5	430	520	680	

**高温高压电站闸阀** High temperature and high pressure power station gate valves



**产品执行标准 Production enforce standard**

产品规范 Product specification	
设计规范 Design spec	JB/T 7746
结构长度 Face to face	JB/T 7746
连接法兰 Flange end	JB/T 79
试验与检验 Test & check	JB/T9092
压力-温度 Pressure-temp	GB/T9131
产品标识 Marking	GB/T 12220

**产品性能规范 Chief property and specification**

产品型号 Product type	Z960Y-250	Z960Y-320	Z960Y-P54100	Z960Y-P54170	
公称压力PN(MPa) Nominal pressure	25	32	-	-	
试验压力 (Mpa) Test pressure	强度试验 Shell test	37.5	48.0	30.0	48.0
	密封试验/上密封试验 Seal test	27.5	36.0	22.0	36.0
工作压力 (MPa) Working pressure	-	-	P5410	P5417	
工作温度(°C) Working temperature	≤425	≤425	≤540	≤540	
适用介质 Applicable medium	水、蒸汽 Water, steam		蒸汽 Steam		

**主要零件材料 Material for main parts**

零件名称 Part name	材料牌号 Material designation		
阀体 Body	WCB	WC6	WC9
阀板 Disc	WCB	WC6	WC9
阀盖 Bonnet	25	12Cr1Mo1VA	
阀杆 Stem	1Cr17Ni2	20Cr1Mo1VA	
阀座 Seat	25	12Cr1Mo1VA	
密封环 Sealing ring	S软钢 (增强柔性石墨) S soft steel(flexible graphite)	S软钢 S soft steel	F软钢 F Soft steel
填料 Packing	增强柔性石墨 Flexible graphite		
支架 Yoke	WCB	WCB或WC6	
阀杆螺母 Stem nut	45(ZCuZn25A16Fe3Mn3)		
四开环 Four piece ring	1Cr13	20Cr1Mo1VA	

**高温高压电站闸阀** High temperature and high pressure power station gate valves

**主要外形和连接尺寸 Main external and connection dimension**

单位Unit:mm

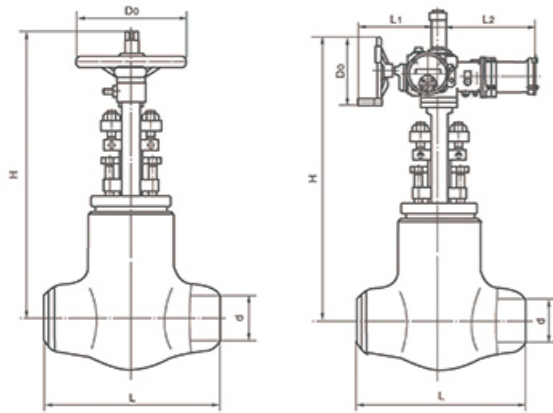
公称口径 DN	主要外形尺寸和连接尺寸(mm) Main external and connecting dimensions					电动装置 Electric device	WT(kg)
	D1	L	H	L1	L2		
<b>Z960Y-250</b>							
	84	406	1164	437	277	DZW45	234
100	100	483	1402	437	277	DZW60	343
125	158	711	1650	554	309	DZW180	638
175	200	864	1650	554	309	DZW180	654
225	280	1067	2106	764	398	DZW350	1973
<b>Z960Y-320</b>							
100	96	533	1236	437	277	DZW180	291
125	118	610	1320	437	277	DZW180	315
150	148	762	1403	526	283	DZW180	672
175	148	762	1650	554	309	DZW180	684
<b>Z960Y-P54100V</b>							
225	222	1041	1650	554	309	DZW250	696
175	148	762	1650	554	309	DZW60	683
225	222	1041	1650	554	309	DZW180	704
250	222	1041	1795	554	309	DZW500	1214
300	294	1245	2080	554	309	DZW500	2125
<b>Z960Y-P54170V</b>							
125	98	630	1230	437	277	DZWC-4	312
225	186	1060	1680	554	309		1401
300	278	1397	2265	764			2834
325	310	1448	2265	690	398		2632
350	338	1550	2536	715			5591

**磅级电站闸阀 Power station gate valves**



**产品执行标准 Production enforce standard**

产品规范 Product specification	
设计规范 Design spec	JB/T 3595/E101
结构长度 Face to face	E101
对焊连接 BW End	78DG
试验与检验 Test & check	E101
压力-温度 Pressure-temp	JB/T3595
产品标识 Marking	GB/T 12220
供货规范 Supply	JB/T7928



**产品性能规范 Chief property and specification**

壳体材料 Shell material	ASTM A216WCB	ASTM A217 Wc1	ASTM A217 Wc6	ASTM A217 Wc9
适用温度°C Applicable temperature	≤425	≤450	≤550	≤590
适用介质 Applicable medium	蒸汽、水 Steam, water	蒸汽、水 Steam, water	蒸汽、水 Steam, water	蒸汽、水 Steam, water

**主要零件材料 Material for main parts**

零件名称 Part name	材料牌号 Material designation			
阀体 Body	WCB	WC1	WC6	WC9
闸板 Disc	WCB	WC1	WC6	WC9
阀盖 Bonnet	25 WCB	15Cr1Mo1VA Wc1	12Cr1Mo1VA Wc6	12Cr1Mo1VA WC9
阀座 Seat	25	15Cr1Mo1VA	12Cr1Mo1VA	12Cr1Mo1VA
阀杆 Stem	1Cr17Ni2	1Cr17Ni2	SUGG600 12Cr1Mo1VA	SUGG600 12Cr1Mo1VA
填料 Packing	增强柔性石墨 Flexible graphite			
支架 Yoke	WCB	WCB WC1	WCB WC6	WCB WC9
密封环 Sealing ring	S软钢 (增强柔性石墨) S soft steel(flexible graphite)		S软钢 S soft steel	F软钢 F Soft steel
阀杆螺母 Stem nut	45(ZCuZn25A16Fe3Mn3)			

**磅级电站闸阀 Power station gate valves**

**主要外形和连接尺寸 Main external and connection dimension**

单位 Unit:mm

公称口径 DN	主要外形尺寸和连接尺寸(mm) Main external and connecting dimensions						电动装置 Electric device	WT(kg)
	d	L	H	D0	L1	L2		
Z960Y-1500Lb								
2 1/2	56	254	520	200	140	243	SMC-04	93
3	64	305	523	508	140	243	SMC-04	110
4	84	406	599	508	198	281	SMC-03	168
			599	305	400	555	SMC-00	208
5	100	483	678	508	198	565	SMC-03	189
			678	305	400	654	SMC-00	232
6	126	559	793	305	410	565	SMC-0	358
			793	305	420	654	SMC-1	444
8	158	711	813	305	410	668	SMC-0	517
			813	305	420	654	SMC-1	561
10	200	864	998	487	440	654	SMC-2	852
			988	305	420	688	SMC-1	823
12	250	991	1141	305	420		SMC-1	1122
			1156	457	440		SMC-2	1150
14	280	1067	1249	610	690		SMC-3	1760
			1351	610	690		SMC-3	2429
16	3189	1194	1535	610	690		SMC-3	2454
			1540	610	715		SMC-4	2524
18	360	1346	1726	610	690		SMC-3	3334
			1731	610	715		SMC-4	3380
20	406	1473	1921	610	690		SMC-3	4409
			1926	610	715		SMC-4	4648
Z960Y-2000Lb								
2	50	33	540	200	140	243	SMC-04	202
3	60	368	558	508	198	332	SMC-03	149
4	80	457	654	305	400	555	SMC-00	245
5	96	533	780	305	400	555	SMC-00	280
			780	305	410	565	SMC-0	323
6	118	610	830	305	410	565	SMC-0	419
			960	305	410	565	SMC-0	626
8	148	762	960	305	420	654	SMC-1	715
			960	305	420	654	SMC-1	715
10	180	914	1020	305	420	654	SMC-1	1020
			1024	457	440	688	SMC-2	1050
12	222	1041	1150	457	440	688	SMC-2	1320
			1166	610	690		SMC-3	1358
14	254	1118	1230	457	440		SMC-2	1810
			1240	610	690	688	SMC-3	1840
16	294	1245	1330	610	690		SMC-3	2270
			1350	610	715		SMC-4	2300

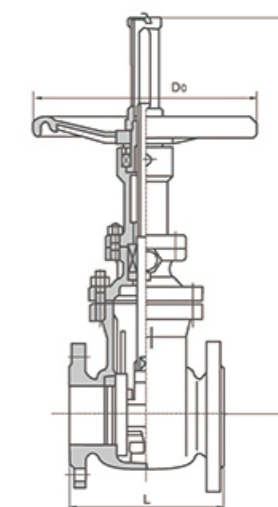
**磅级电站闸阀 Power station gate valves** Class1500、2000、2500、3500

主要外形和连接尺寸 Main external and connection dimension

单位Unit:mm

公称通径 DN	主要外形尺寸和连接尺寸(mm) Main external and connecting dimensions						电动装置 Electric device	WT(kg)
	d	L	H	D0	L1	L2		
Z960Y-1500Lb								
2 1/2	46	330	533	508	198	332	SMC-03	143
3	54	368	533	508	198	243	SMC-04	116
			549	200	140	243	SMC-03	160
4	70	457	549	508	198	332	SMC-04	134
			653	305	140	565	SMC-03	251
5	86	533	644	508	198	332	SMC-0	294
			760	305	400	555	SMC-00	324
6	104	610	774	305	400	565	SMC-0	341
			850	305	400	555	SMC-00	479
8	130	762	861	305	410	565	SMC-0	564
			847	305	410	565	SMC-0	725
10	162	814	860	305	420	654	SMC-1	750
			1031	305	420	654	SMC-1	1152
12	210	1041	1050	610	690		SMC-3	122
			1125	457	440	688	SMC-2	1520
14	234	1118	1149	610	690		SMC-3	1558
			1221	610	690		SMC-3	1869
16	264	1245	1390	610	690		SMC-3	2826
			1395	610	715		SMC-4	3084
Z960Y-2000Lb								
3	44	440	620	508	198	332	SMC-03	269
4	56	540	620	305	400	555	SMC-00	305
			721	305	400	555	SMC-00	398
5	74	616	730	305	410	565	SMC-0	437
			796	305	410	565	SMC-0	507
6	88	692	796	305	420	654	SMC-1	592
			857	305	410	565	SMC-0	605
8	116	846	857	305	420	654	SMC-1	691
			1041	305	420	654	SMC-1	1088
10	142	1000	1051	457	440	688	SMC-2	1179
			1197	457	440	688	SMC-2	1700
12	174	1124	1207	610	690		SMC-2	2031
			1338	610	690		SMC-3	2708
14	196	1229	1455	610	715		SMC-4	3180
			1440	610	690		SMC-3	3131
18	252	1499	1915	610	715		SMC-4	4560

**自动补偿平衡式双平板闸阀 Double fault gate valve** ZBPZ44Y-1.6~6.4



主要外形和连接尺寸 Main external and connection dimension

单位Unit:mm

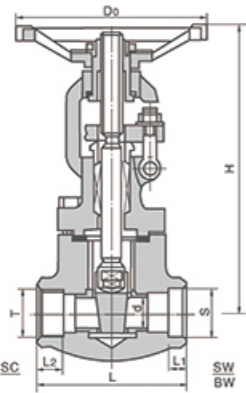
公称压力 PN	主要外形尺寸和连接尺寸(mm) Main external and connecting dimensions														
	DN	50	65	80	100	125	150	400	250	300	350	400	450	500	600
1.6MPa	L	250	270	280	300	325	350	1060	450	500	550	600	650	700	800
	H	417	452	530	607	614	850	400	1225	1415	1630	1780	2050	2181	2599
	D0	240	240	280	300	300	350	160	450	500	500	600	720	720	720
	WT(kg)	22	30	44	47	76	96	400	228	300	388	566	900	958	1410
2.5MPa	L	250	270	280	300	325	350	1041	450	500	550	600	650	700	800
	H	417	452	567	590	756	880	400	1260	1415	1630	1780	2050	2181	2599
	D0	240	240	280	320	320	400	218	450	500	500	600	720	720	720
	WT(kg)	23	32	46	67	78	112	550	290	324	423	566	900	958	1410
4.0MPa	L	250	280	310	350	400	450	1065	650	750	850	950	1050	1150	1350
	H	417	452	567	590	776	885	500	1250	1531	1700	1770	1820	1880	2200
	D0	240	270	280	320	350	400	235	550	640	640	640	620	680	680
	WT(kg)	28	35	47	68	115	150	550	374	550	890	1235	1400	1506	1780
6.4MPa	L	250	280	310	350	400	450	1120	650	750	850	950			
	H	505	545	605	665	780	980	550	1332	1680	1745	1820			
	D0	280	280	320	400	400	450	388	550	640	640	680			
	WT(kg)	44	64	84	119	174	266		500	550	898	1234			

**锻钢闸阀 Forging gate valves**



**产品执行标准 Production enforce standard**

产品规范 Product Specification	
设计规范 Design Spec	JB/T 7746
结构长度 Face to Face	JB/T 7746
连接法兰 Flange End	JB/T 79
试验与检验 Test & Check	JB/T 9092
压力-温度 Test & Check	GB/T 9131
产品标识 Marking	GB/T 12220
供货规范 Supply	JB/T 7928



**产品性能规范 Chief property and specification**

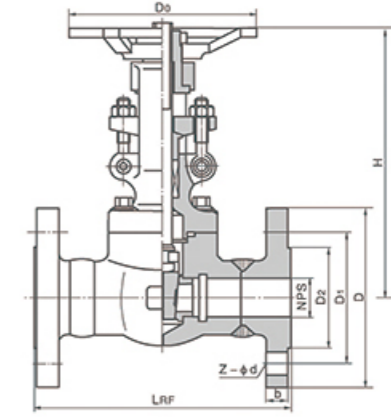
试验项目 Teat item	1.6	2.5	4.0	6.4	10.0	16.0
强度试验 Shell test	2.4	3.8	6.0	9.6	15	24
密封试验 seal test	1.8	2.8	4.4	7.0	11	18
气密封试验 Air Seal test	1.8	2.8	4.4	7.0	11	18
适用温度°C Applicable temperature	≤550°C					
适用介质 Applicable medium	水、油品、蒸汽 Water、oil、steam					

**主要零件材料 Material for main parts**

零件名称 Part Name	零部件材料 Part Material	
阀体/阀盖 Body/Bonnet	25	1Cr18Ni9Ti
闸板/闸瓣 Wedge/Disc	2Cr13	1Cr18Ni9Ti
阀杆 Stem	2Cr13	1Cr18Ni9Ti
密封圈 Seal Ring	1Cr13+HF	1Cr18Ni9Ti+STL
填料 Packing	柔性石墨/Flexible Graphite	聚四氟乙烯/PTFE
垫片 Gasket	18-8/柔性石墨/18-8/Flexbile Graphite	
螺栓 Bolt	35/35CrMo	1Cr18Ni9Ti
适用温度 Suitable Temp	-29~425°C	-40~200°C
适用介质 Suitable Medium	水、油品、蒸汽 Water,Oil,Steam	硝酸类 Nitric Acid

**锻钢闸阀 Forging gate valves**

Z41H/Y-16~160C



**主要外形和连接尺寸 Main external and connection dimension**

单位Unit:mm

公称通径 DN	主要外形尺寸和连接尺寸(mm) Main external and connecting dimensions									WT(kg)
	L	d	S	L <sub>1</sub>	T	L <sub>2</sub>	H	D <sub>0</sub>		
	ZH41H-16C Z41H-25 Z41H-40 ZH11H-16C Z11H-25 Z11H-40 ZH61H-16C Z61H-25 Z61H-40									
15	90	13	22.5	10	1/2	15	151	118	6.9	
20	100	18	28.5	11	3/4	17	182	130	9.8	
25	120	23	34.5	12	1	19	197	150	13.5	
32	120	28	43	14	1 1/4	21	201	166	19.5	
40	135	36	49	15	1 1/2	21	227	180	28.5	
50	155	45	61	16	2	25	253	180	30.3	
	ZH41H-64 ZH11H-64 ZH61H-64									
15	90	13	22.5	10	1/2	15	151	118	7.7	
20	100	18	28.5	11	3/4	17	182	130	11.3	
25	120	23	34.5	12	1	19	197	150	16.8	
32	130	28	43	14	1 1/4	21	212	180	21.2	
40	150	36	49	15	1 1/2	21	231	180	32.6	
50	155	45	61	16	2	25	253	180	35	

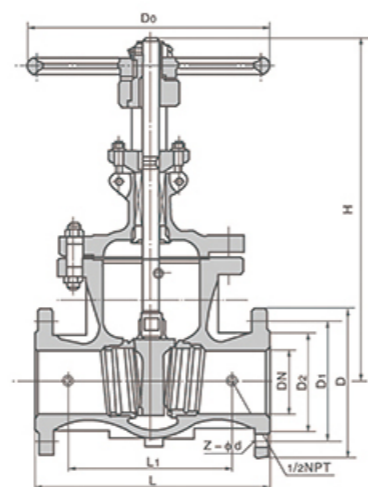
**主要外形和连接尺寸 Main external and connection dimension**

单位Unit:mm

公称通径 DN	主要外形尺寸和连接尺寸(mm) Main external and connecting dimensions									WT(kg)
	L	d	S	L <sub>1</sub>	T	L <sub>2</sub>	H	D <sub>0</sub>		
	Z41Y-100 Z11Y-100 Z61Y-100									
15	90	13	22.5	10	1/2	15	151	118	7.8	
20	100	18	28.5	11	3/4	17	182	130	12.5	
25	120	23	34.5	12	1	19	197	150	17.5	
32	130	28	43	14	1 1/4	21	212	180	23.5	
40	150	36	49	15	1 1/2	21	231	180	38.5	
50	155	45	61	16	2	25	253	180	42.2	
	Z41Y-160 Z11Y-160 Z61Y-160									
15	90	13	22.5	10	1/2	15	151	118	8.0	
20	100	18	28.5	11	3/4	17	182	130	13.6	
25	120	23	34.5	12	1	19	197	150	19.4	
32	130	28	43	14	1 1/4	21	212	180	25.1	
40	150	36	49	15	1 1/2	21	231	180	41.6	
50	155	45	61	16	2	25	253	180	49.0	

**保温闸阀 Jacket gate valve**

BZ41Y-16~25P/R



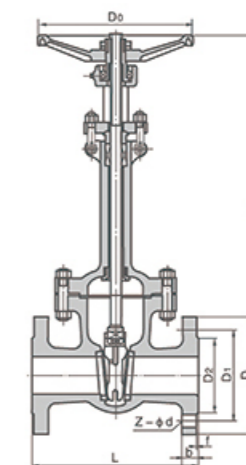
主要外形和连接尺寸 Main external and connection dimension

单位 Unit:mm

公称通径 DN	主要外形尺寸和连接尺寸(mm) Main external and connecting dimensions									WT(kg)
	L	L <sub>1</sub>	D	D <sub>1</sub>	D <sub>2</sub>	b	Z-φd	H	D <sub>0</sub>	
BZ41H-16C BZ41W-16P BZ41W-16R										
40	200	70	160	125	100	18	4-φ18	310	200	49
50	250	80	180	145	120	18	4-φ18	358	240	54
65	270	90	195	160	135	20	8-φ18	373	240	81
80	280	100	215	180	155	20	8-φ18	435	280	100
100	300	100	245	210	185	22	8-φ18	500	300	120
125	325	110	280	240	210	24	8-φ23	614	320	210
150	350	120	335	295	265	26	12-φ23	674	360	260
200	400	130	405	355	320	30	12-φ25	818	400	300
250	450	140	460	410	375	30	12-φ25	969	450	400
300	500	160	520	470	435	34	16-φ25	1145	560	490
BZ41H-25 BZ41W-25P BZ41W-25R										
40	200	70	160	125	100	20	4-φ18	358	240	52
50	250	80	180	145	120	22	8-φ18	373	240	56
65	270	90	195	160	135	22	8-φ18	435	280	86
80	280	100	230	190	160	24	8-φ18	500	300	105
100	300	100	270	220	188	28	8-φ15	614	320	170
125	325	110	300	250	218	30	8-φ25	674	360	245
150	350	120	360	310	278	34	12-φ25	818	400	270
200	400	130	425	370	332	36	12-φ30	969	450	380
250	450	140	485	430	390	40	12-φ30	1145	560	535
300	500	160	550	490	448	44	16-φ34	1145	640	546

**低温闸阀 Cryogenic gate valve**

DZ40Y-16~100L



主要外形和连接尺寸 Main external and connection dimension

单位 Unit:mm

公称通径 DN	主要外形尺寸和连接尺寸(mm) Main external and connecting dimensions								WT(kg)
	L	D	D <sub>1</sub>	D <sub>2</sub>	b	Z-φd	H	D <sub>0</sub>	
DZ40Y-16L									
20	150	105	75	55	14	4-φ14	320	140	6
25	160	115	85	65	14	4-φ14	350	160	7
32	180	135	100	78	16	4-φ18	385	180	9
40	200	145	110	85	16	4-φ18	420	200	15
50	250	160	125	100	16	4-φ18	540	240	30
65	270	180	145	120	18	4-φ18	610	240	34
80	280	195	160	135	20	8-φ18	690	280	45
100	300	215	180	155	20	8-φ18	780	300	64
125	325	245	210	185	22	8-φ18	930	320	110
150	350	280	240	210	24	8-φ23	980	360	135
200	400	335	295	265	26	12-φ23	1180	400	195
250	450	405	355	320	30	12-φ25	1390	450	275
300	500	460	410	375	30	12-φ25	1620	560	380
350	550	520	470	425	34	16-φ25	1810	640	594
400	600	580	525	485	36	16-φ30	1970	640	725
DZ40Y-25L									
20	150	105	75	55	16	4-φ14	320	140	6
25	160	115	85	65	16	4-φ14	350	160	8
32	180	135	100	78	18	4-φ18	385	180	10
40	200	145	110	85	18	4-φ18	420	200	16
50	250	160	125	100	20	4-φ18	540	240	30
65	270	180	145	120	22	8-φ18	610	240	35
80	280	195	160	135	22	8-φ18	690	280	47
100	300	230	190	160	24	8-φ23	780	300	65
125	325	270	220	188	28	8-φ25	930	320	110
150	350	300	250	218	30	8-φ25	980	360	135
200	400	360	310	278	34	12-φ25	1180	400	215
250	450	425	370	332	36	12-φ30	1390	450	295
300	500	485	430	390	40	16-φ30	1620	560	400
350	550	550	490	448	44	16-φ34	1810	640	630
400	600	610	550	505	48	16-φ34	1990	640	910

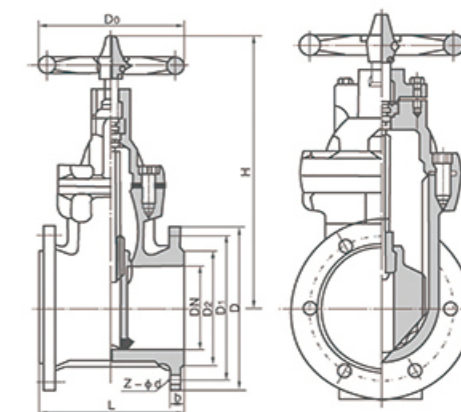
**低温闸阀 Cryogenic gate valve** DZ40Y-16~100L

主要外形和连接尺寸 Main external and connection dimension

单位 Unit:mm

公称通径 DN	主要外形尺寸和连接尺寸(mm) Main external and connecting dimensions									WT(kg)
	L	D	D1	D2	D6	b	Z-φd	H	D0	
DZ40Y-40L										
20	150	105	75	55	51	16	4-φ14	330	140	7
25	160	115	85	65	58	16	4-φ14	360	160	9
32	180	135	100	78	66	18	4-φ18	440	180	11
40	200	145	110	85	76	18	4-φ18	455	200	19
50	250	160	125	100	88	20	4-φ18	575	280	28
65	280	180	145	120	110	22	8-φ18	635	280	35
80	310	195	160	135	121	22	8-φ18	715	320	30
100	350	230	190	160	150	24	8-φ23	815	360	74
125	400	270	220	188	176	28	8-φ25	965	400	115
150	450	300	250	218	204	30	8-φ25	1025	400	135
200	550	375	320	282	260	38	12-φ30	1225	450	215
250	650	445	385	345	313	42	12-φ34	1440	560	184
300	750	510	450	408	346	46	16-φ34	1665	640	405
350	850	570	510	465	422	52	16-φ34	1880	640	600
400	950	655	585	535	474	58	16-φ41	2050	720	750
DZ40Y-64L										
20	190	125	90	68	51	20	4-φ18	330	100	8
25	210	135	100	78	58	22	4-φ18	360	180	13
32	230	150	110	82	66	24	4-φ23	410	180	24
40	240	165	125	95	76	24	4-φ23	480	200	32
50	250	175	135	105	88	26	4-φ23	585	200	39
65	280	200	160	160	110	28	8-φ23	690	250	45
80	310	210	170	140	121	30	8-φ23	754	300	60
100	350	250	200	168	150	32	8-φ25	885	300	90
125	400	295	240	202	176	36	8-φ30	985	350	140
150	450	340	280	240	204	38	8-φ34	1050	350	205
200	550	405	345	300	260	44	12-φ34	1240	400	330
250	650	470	400	352	313	48	12-φ41	1460	560	468
300	750	530	460	412	364	54	16-φ41	1690	640	600
DZ40Y-100L										
25	210	135	100	78	58	24	4-φ18	365	200	18
32	230	150	110	82	66	24	4-φ23	420	240	27
50	250	195	145	112	88	28	4-φ25	630	360	45
65	280	220	170	138	110	32	8-φ25	700	400	60
80	310	230	180	148	121	34	8-φ25	760	400	76
100	350	265	210	172	150	38	8-φ30	900	400	128

**弹性座封闸阀 Flexible seal gate valve** Z45X/RVC(H)X-10~16、Z41/941X/RRHX-10~16



主要外形和连接尺寸 Main external and connection dimension

单位 Unit:mm

公称通径 DN	L	D	D1		D2	b	Z-φd		H	D0
			PN10	PN16			PN10	PN16		
50	180	155	125	-	100	18	4-φ19	4-φ19	365	200
65	190	185	145	-	118	19	4-φ19	4-φ19	442	200
80	240	211	160	-	125	21	8-φ19	8-φ19	540	250
100	250	238	180	-	152	21	8-φ19	8-φ19	616	250
125	254	250	210	-	184	19	8-φ19	8-φ19	710	340
150	280	290	240	-	204	22	8-φ23	8-φ23	812	340
200	300	342	295	-	256	23	8-φ23	12-φ23	1010	400
250	380	410	350	355	308	24	12-φ23	12-φ28	1180	450
300	400	464	400	410	362	25	12-φ23	12-φ28	1385	500
350	430	530	460	470	414	26	16-φ23	16-φ28	1542	560
400	406	580	515	525	480	28	16-φ28	16-φ31	1759	640
450	432	640	565	585	530	30	20-φ28	20-φ31	1972	720
500	457	715	620	650	585	31.5	20-φ28	20-φ34	-	720
600	508	840	685	770	685	36	20-φ31	20-φ37	-	800

主要外形和连接尺寸 Main external and connection dimension

单位 Unit:mm

公称通径 DN	L	PN1.0MPa				PN1.6MPa				D2	H	D0
		D	D1	b	Z-φd	D	D1	b	Z-φd			
40	165	150	110	28	4-φ18	150	110	18	4-φ18	84	75	160
50	178	165	125	20	4-φ18	165	125	20	4-φ18	99	82	160
65	190	185	145	20	4-φ18	185	145	20	4-φ18	118	92	180
80	203	200	160	22	4-φ18	200	160	20	4-φ18	132	100	180
100	229	220	180	22	8-φ18	220	180	22	8-φ18	156	110	240
125	254	250	210	24	8-φ18	250	210	22	8-φ18	184	133	280
150	267	285	240	24	8-φ22	285	240	24	8-φ22	211	142	340
200	292	340	295	26	8-φ22	340	295	24	12-φ22	266	170	400
250	330	395	350	28	12-φ22	405	355	26	12-φ26	319	202	450
300	356	440	400	28	12-φ22	460	410	28	12-φ26	370	230	500
350	381	520	460	30	16-φ22	520	470	30	16-φ26	429	260	560
400	406	580	515	32	16-φ26	580	525	32	16-φ30	480	290	640
450	432	640	565	32	20-φ26	640	585	34	20-φ30	530	320	720
500	457	715	620	34	20-φ26	715	650	36	20-φ33	585	357	720
600	508	810	725	36	20-φ30	840	725	38	20-φ36	685	420	800